

DEUTZ-FAHR 5435/5445/5465/5485



DRIVEN BY INTELLIGENCE.

Compact and powerful

Although the trend towards increasingly larger combine harvesters continues, there is still great demand for powerful, robust combine harvesters in the 4-5 straw-walker class. In the small/medium agricultural enterprise the compact, manoeuvrable combine harvester is often a great advantage. With its long-standing tradition in combine harvester production, DEUTZ-FAHR continues to offer its customers a range of combine harvesters to suit all requirements, each with an excellent cost-benefit ratio.

With the new 54 series DEUTZ-FAHR now supplies compact, reliable and powerful combine harvesters with four and five walkers. These robust and economical 54 series models are the first choice for medium-sized cash crop farms, machine pools and also contractors serving the small agricultural businesses. Equipped as standard with a generously sized, well-insulated, air-conditioned cab, the 54series combine harvesters offer a high level of driving and operating comfort.

With a chassis width of 1.11 m and economical engine capacities ranging from 115 to 175 h.p. (85 to 129 kW) and a practical selection of headers with cutting widths of 3.10 m to 4.80 m, the new 54series combine harvesters offer the right machine for all applications and acreage. They stand out due to their high throughputs and power as well as their practical standard features.





Advantages

- ▶ *Headers for all crop types with practical sizing from 3.10 m to 4.80 m*
- ▶ *Electrical feed auger and elevator reversing unit as a standard feature*
- ▶ *Rapeseed and sunflower attachments available upon request*
- ▶ *Electrically adjustable threshing drum variator speed from 600 to 1,300 rpm*
- ▶ *Lower speeds for maize and special crops from 400 to 1,150 rpm upon request*
- ▶ *High-performance tandem thresher for 5485 HT with additional tandem drum for regular crop flow and up to 30 % pre-separation.*
- ▶ *Large walkers with high steps and walker areas of up to 4.80 m²*
- ▶ *Sieve box with removable preparation floor and large sieve area of up to 3.40 m²*
- ▶ *Returns auger with re-thresher delivering to the preparation floor*
- ▶ *Powerful chopper available as a special feature*
- ▶ *Grain tank volume from 3,300 to 5,200 l*
- ▶ *Simple access to the walkers through a large maintenance flap in the straw hood*
- ▶ *Simple access to engine and cooling system*
- ▶ *More convenient servicing with large maintenance flaps at the side*



The right cut for all cr



▲ Headers are available for all applications with cutting widths ranging from 3.10 m to 4.80 m.

▼ Headers are available for all applications with cutting widths ranging from 3.10 m to 4.80 m.



Robust design, tough drives with high cutting frequency, adjustable reel with flexible poly-tines and a large feed auger characterise the DEUTZ-FAHR 54 series headers.

Professional cutter bars

With serrated knife sections and working widths of 3.10 m to 4.80 m the 54 series headers ensure a clean cut and continuous crop flow. The cutting frequency of 1,020 cuts/min. is achieved with very smooth operation. The reversing unit, provided as a standard feature, ensures additional reliability. The standard ear lifters carefully lift the laid grain in front of the knife, thereby increasing throughput under difficult conditions. The large-diameter feed auger also meets the highest of requirements. With a diameter of 350 mm and controlled retractable fingers throughout the entire width it ensures a regular crop flow, even in dense growth.

Robust reel

The poly-tine pick-up reel with a diameter of 1.05 m ensures that the crop is fed in evenly. The reel height can be easily adjusted with the "CommanderStick" to suit the prevailing conditions. The electrical adjustment of the reel speed and horizontal position is actuated via a toggle switch on the right-hand operating panel, or with the CommanderStick in deluxe cabs.

Automatic cutting height programming

The automatic cutting height programming feature (DHC), available upon request, lowers the cutter bar to a pre-selected cutting height when a button on the lever or the CommanderStick is actuated. The cutting height is shown on a height display in easy view of the driver.



Robust fingers and serrated blades provide a clean cut.



The cutting height display can be easily seen by the driver.



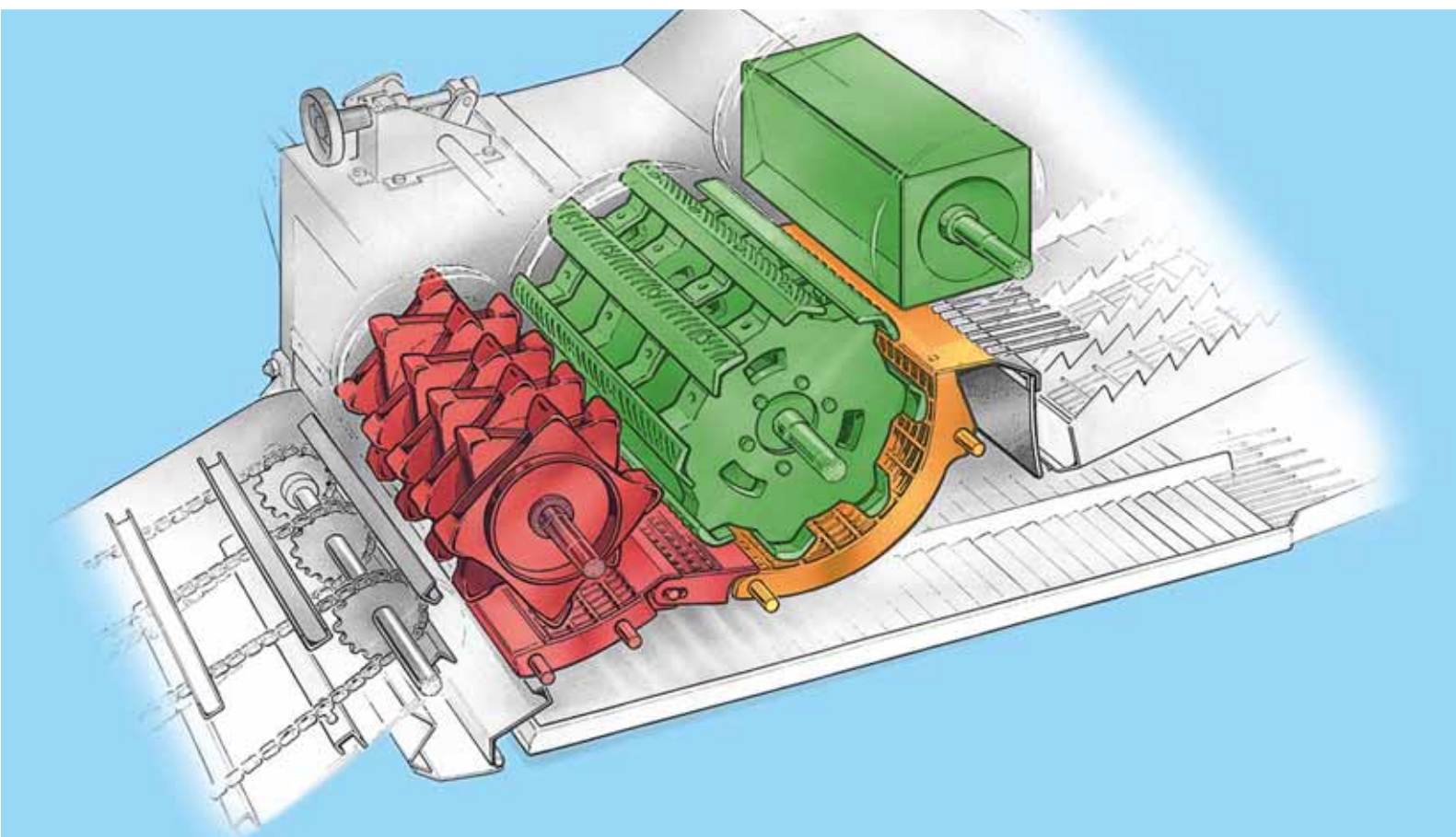
The standard ear lifters increase productivity with laid grain.

Advantages

- ▶ Headers for all crop types with practical sizing from 3.10 m to 4.80 m
- ▶ Knife drive with oil-immersed planetary drive unit (above 3.90 m)
- ▶ Reel with closed ends and flexible poly-tines
- ▶ Electrical reversing unit as standard feature
- ▶ High cutter bar cutting frequency of 1,020 cuts/min
- ▶ Long stalk divider as standard feature
- ▶ Ear lifters as standard feature
- ▶ Number of lifters fitted:
 - 3.10 m – 9
 - 3.45 m – 11
 - 3.90 m – 12
 - 4.20 m – 13
 - 4.50 m – 14
 - 4.80 m – 15
- ▶ Automatic cutting height control upon request
- ▶ Rapeseed and sunflower attachments available upon request
- ▶ Large, centrally actuated stone trap

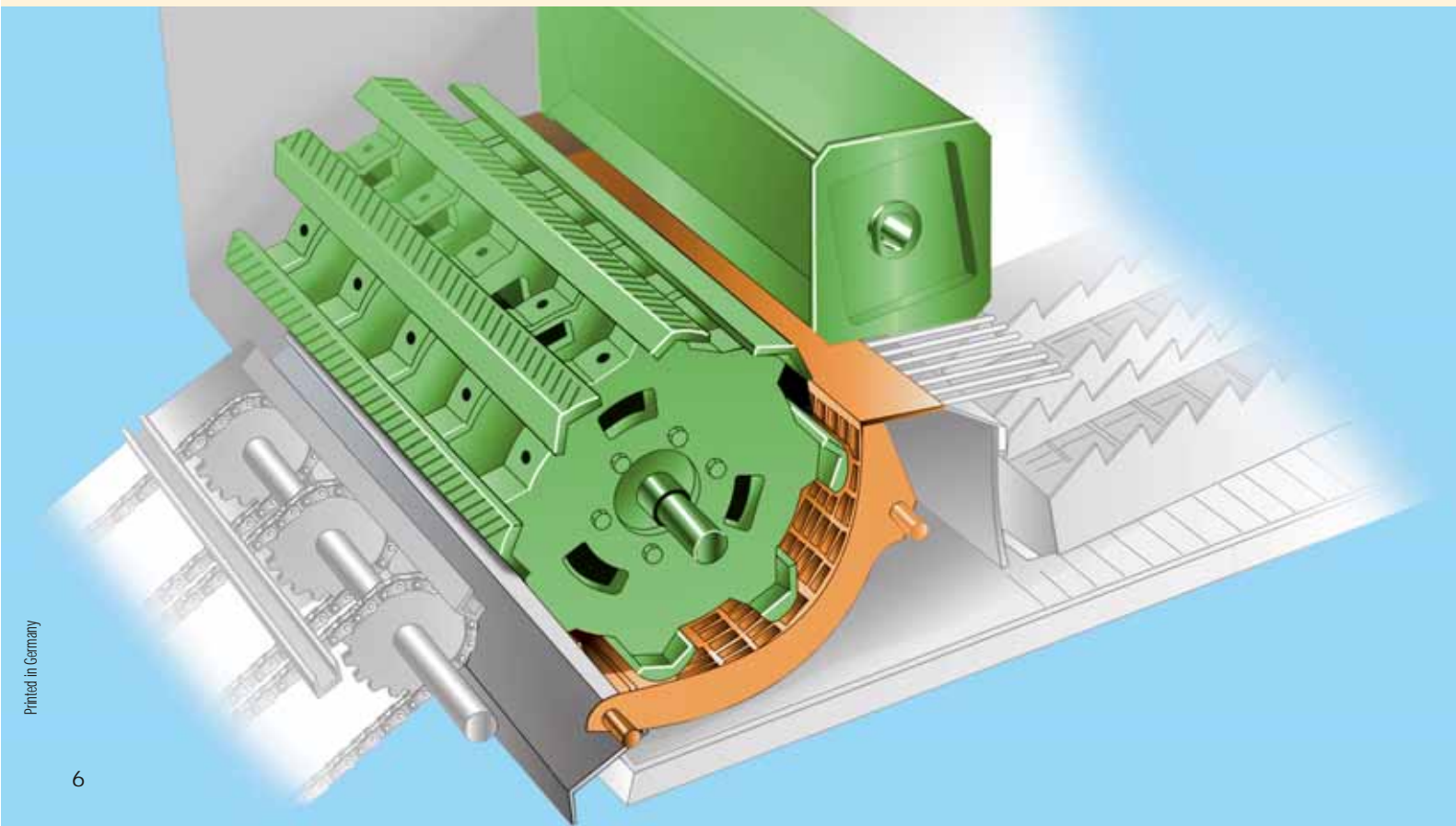


Efficient thresher.



▲ The high-performance tandem thresher of the 5485 HT is characterised by a high throughput and preliminary separation of up to 30% before the threshing drum.

▼ The threshing drum and stripper beater of the 5435 H/5445 H/5465 H.



High threshing efficiency even under difficult conditions make the DEUTZ-FAHR 54 series the ideal combine harvester in its class.

With a feed elevator channel width of 1.11 m, a drum diameter of 50 cm and 8 bolted beater bars; the powerful thresher has a concave surface of 0.51 m² with a maximum wrap-around of 105°. The threshing drum weight of 175 kg ensures constant speeds and reliable threshing, even at high load peaks. The speed of the threshing drum can be electrically adjusted from 600 to 1,300 rpm. This results in a high throughput with gentle threshing and minimum grain damage. A lower speed range from 400 to 1.150 rpm is available for maize and special crops.

The clearance between the concave and the threshing drum is conveniently adjusted from the cab and shown on a display on the right-hand operating panel.

High performance tandem thresher

The largest machine in the 54 series – the 5485 HT – is equipped with a high-performance thresher with additional tandem drum. This pre-threshing drum, with a diameter of 400 mm, in front of the main threshing drum ensures a regular supply and distribution of the material before actual threshing. A regular crop flow means optimum efficiency of the threshing and separating equipment, resulting in a considerable increase in productivity. With preliminary separation the pre-threshing drum also relieves the strain on the threshing and separating equipment by up to 30%. This is a particular advantage under difficult harvesting conditions with long or wet straw or at high throughput capacities.



The threshing drum: Load peaks are never a problem thanks to the drum weight of 175 kg.



The threshing drum to concave clearance is shown in a window on the right-hand operating panel.

Advantages

- ▶ **Robust threshing drum with high drum weight and eight beater bars**
- ▶ **High-performance tandem thresher for 5485 HT with additional tandem drum for regular crop flow and up to 30 % pre-separation.**
- ▶ **Electrically adjustable threshing drum variator from 600 to 1,300 rpm**
- ▶ **Lower speed range from 400 – 1,150 rpm for maize and special crops upon request**
- ▶ **Threshing drum adjustment and indication in the cab**



Perfect separation and

Depending on the model, four or five long and steeply inclined walkers are fitted, each with up to four steps and walker areas of 3.86 m² to 4.20 m². The high lifting frequency means that the grain drops easily through the straw.

Special return chutes reliably convey the grain to the preparation floor, which comprises four individual, easily removable elements. High dividers also ensure regular distribution on slopes. The patented cassette preparation floor as well as the two lamella sieves (5445 and higher) with a sieve area of up to 3.40 m² creates the best conditions for obtaining marketable crops.

Clean with low losses

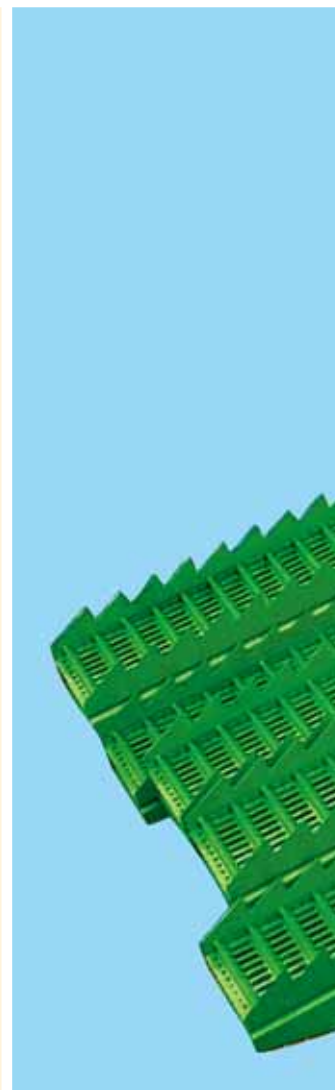
The large, powerful cleaning blower ensures regular air distribution. The returns are threshed effectively and gently with the efficient subsequent threshing unit. The returns auger transports the crop to an after-threshing section, which effectively threshes the returns, and transports it directly back to the preparation floor.

Maintenance-friendly and simple

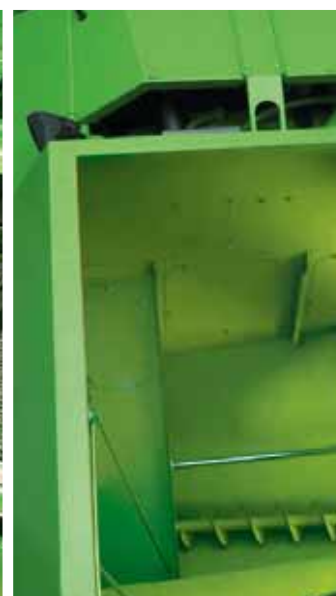
Under difficult harvesting conditions, such as with wet crops, simple access and the trouble-free cleaning of all relevant components is important. For example the returns augers, the grain tank filling auger and the grain tank discharge augers can all be easily pulled out for cleaning and maintenance. The walker floors can also be pulled out individually through the large maintenance flap in the straw hood (5445 and higher). The individual cassettes of the preparation floor can also be easily pulled out towards the rear for cleaning.

Large grain tank

The large grain tank with a capacity of up to 5,200 l is designed for the high capacities of the machine and permits long harvesting times. The grain emptying pipe with a discharge height of 3.40 m (5445 and higher) is conveniently moved out with a toggle switch (in the comfort cab) or on the multi-function lever (deluxe cab). The straight, non-angled discharge auger ensures dependable emptying, even under difficult conditions, and also permits simple and fast cleaning.

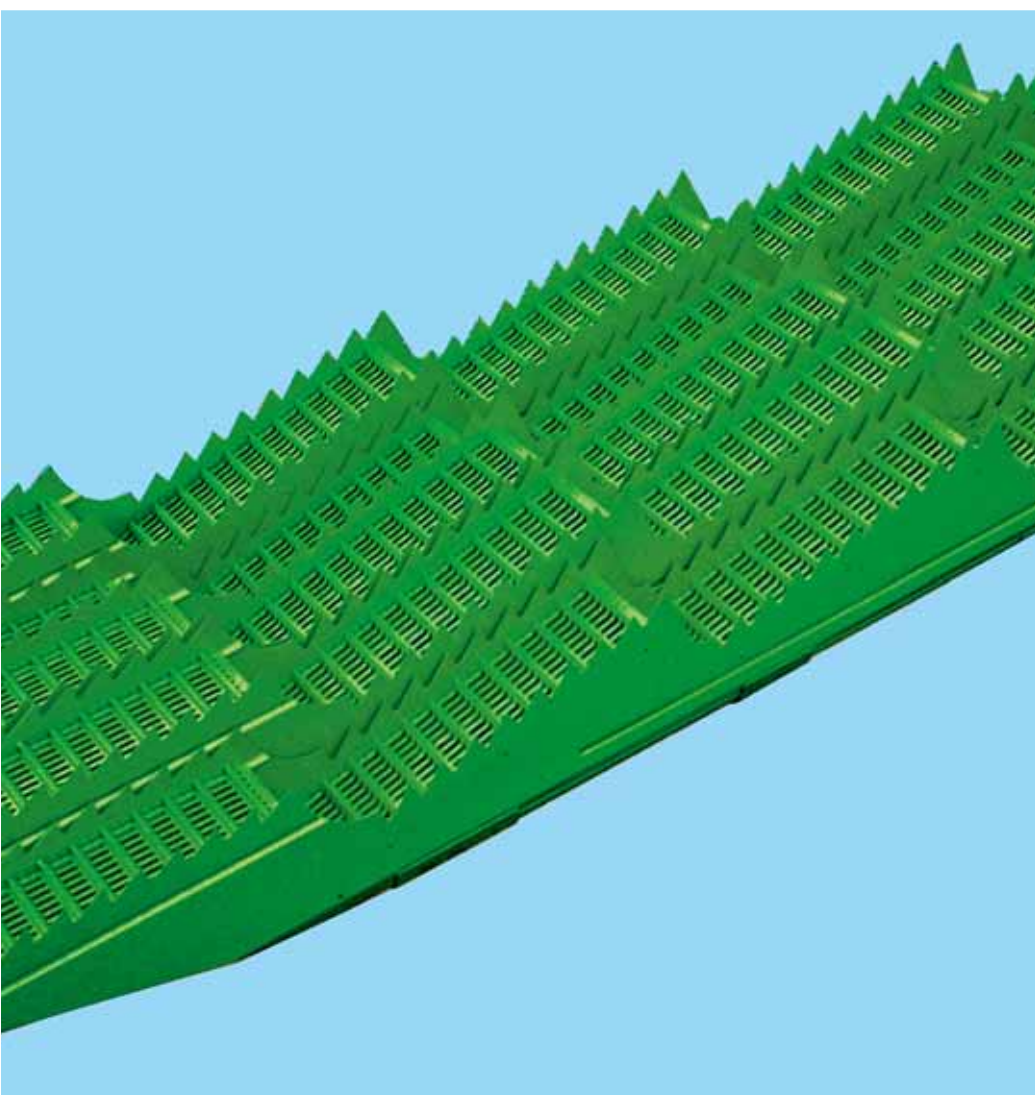


The individual elements of the preparation floor can be pulled out simply and conveniently for cleaning.



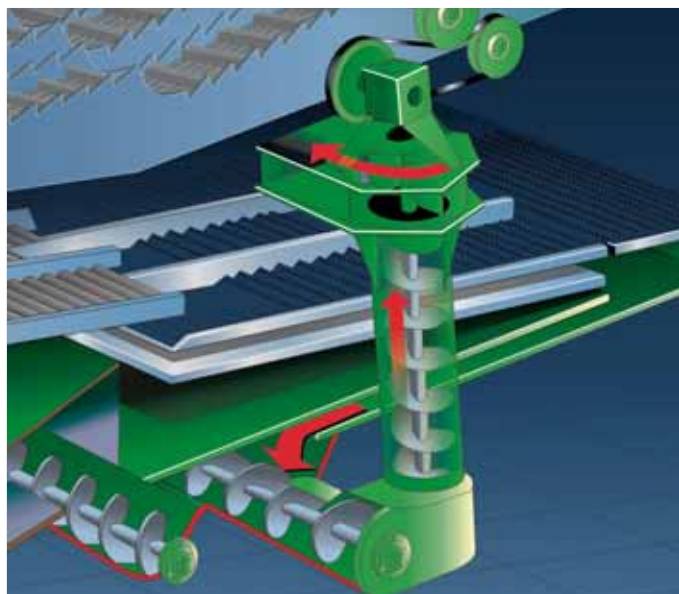
Grain tank capacities of 3,300 and increase the total output.

d cleaning.



Advantages

- ▶ Depending on the model, four or five large-dimensioned walkers with up to four steps, a walker surface of up to 4.20 m² and a total separation area of up to 5.28 m²
- ▶ Large sieve area of 3.00 (5435) or 3.40 m²
- ▶ High-performance blower for marketable, cleaned crops
- ▶ Separate subsequent threshing unit, on 5445 and higher with angular gear drive unit
- ▶ No additional strain on concave and walkers by returns
- ▶ Grain tank capacity of up to 5,200 l for long threshing times
- ▶ Preparation floor and walker floors can be pulled out for easy cleaning
- ▶ Simple access to the walkers through a large maintenance flap in the straw hood

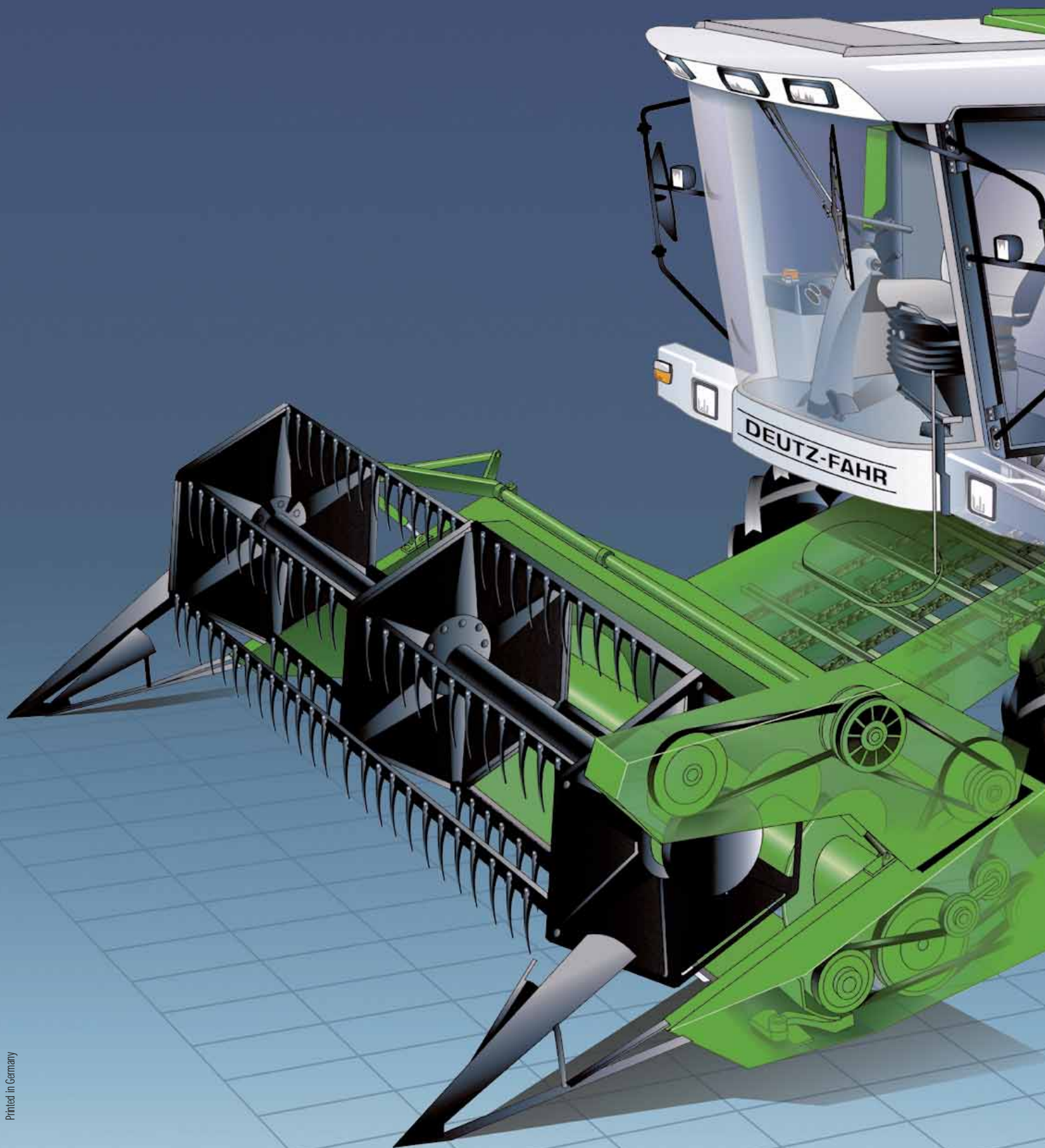


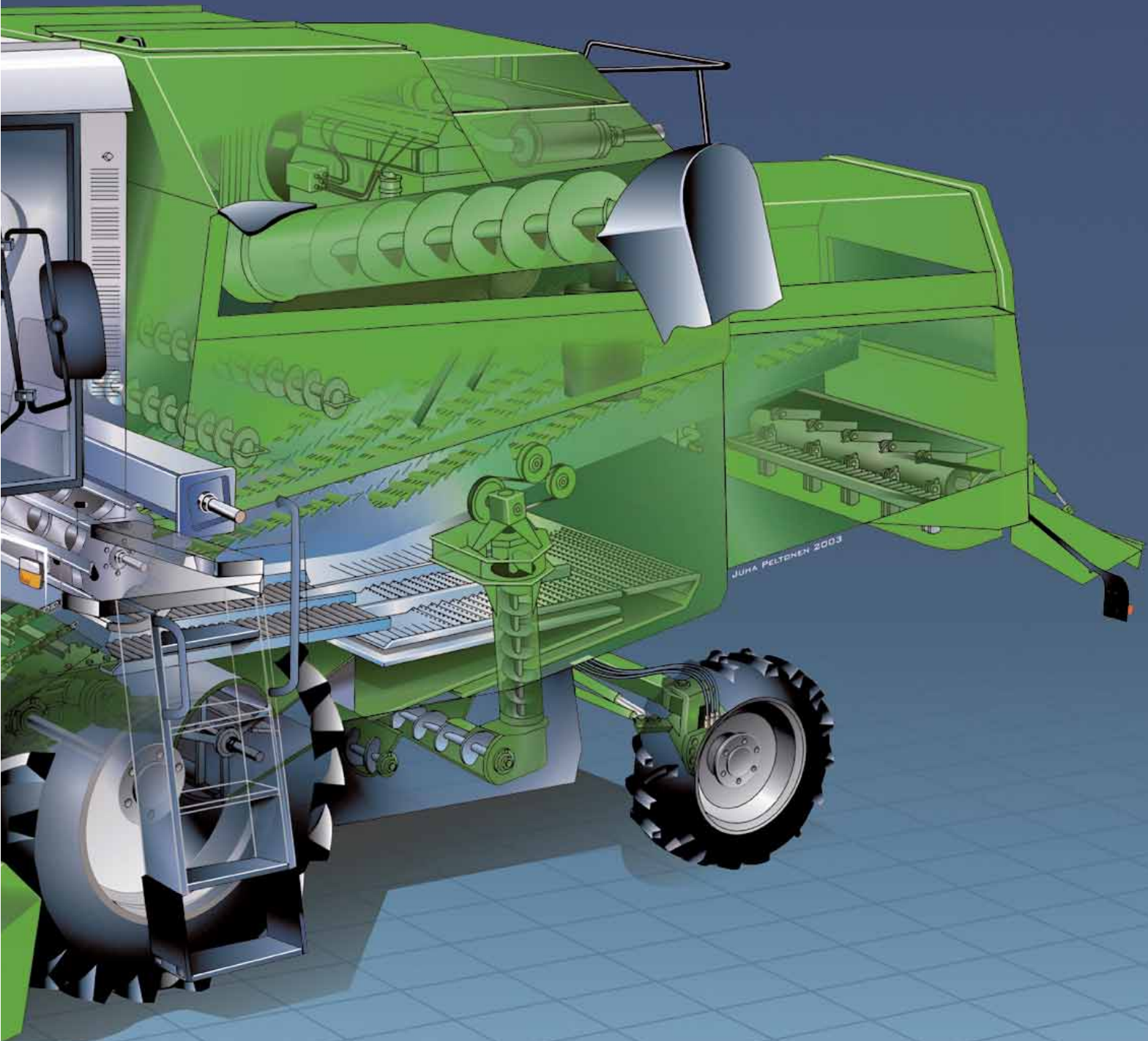
to 5,200 l ensure long threshing times

The returns are fed back directly to the preparation floor.



DEUTZ-FAHR 5465 H





Straw processing as

Straw is also an important crop for many farms. For this reason it must be possible to convert combine harvesters, which are used by several farmers, quickly and conveniently.

Loose swathes

With its gentle threshing technology, optimum straw quality and loose windrows are produced, these are excellent for further processing. The windrows can dry easily and are quickly drawn in by the baler pick-up.

High chopping quality

The straw chopper, available as an accessory, is quickly and easily moved to the working position with two pneumatic springs. It ensures regular chopped straw distribution, also with wide headers. The rotating, oscillating blades ensure regular straw chopping for faster decomposition in the field. The spreading plates are adjusted either manually or, optionally, electrically from the cab (5445 and higher).



An electrical spreading width adjustment is available upon request.

The powerful chopper (accessory) spreads the straw regularly over the field, even with wide headers.

required.



Advantages

- ▶ *Gentle threshing gives optimum straw quality when windrowing*
- ▶ *Loose windrows for thorough drying*
- ▶ *Fast and flexible switchover from windrowing to chopping*
- ▶ *Regular straw distribution during chopping, also with wide headers*
- ▶ *Low-maintenance chopper drive*
- ▶ *Electrical spreading width adjustment is available upon request*
- ▶ *Hydraulically driven spreader available upon request*



A hydraulically driven chaff distributor is also available upon request.



Spacious and comfortable



The driving and operating comfort of the driver is also extremely important in combine harvesters of the lower to medium output classes. The light and friendly cabs of the new DEUTZ-FAHR 54 series combine harvesters are very spacious and of practical ergonomic design. An unrestricted view of the cutter bar and crop intake is ensured through the large glass windscreen.

Low noise working atmosphere

Two versions are available – the “comfort” and the “deluxe” cab. Both are equipped as standard with efficient air conditioning and heating systems. With its comfortable seat – featuring pneumatic suspension upon request – and the practical co-driver seat, the cab has a pleasant, low-noise, productive working atmosphere. The steering column position is adjustable making rake and reach individually adaptable to suit each driver's needs. The deluxe cab also features a tinted panoramic windscreen.



All the important monitoring and operating controls are clearly arranged on the right-hand control panel. Large flashing warning lights signal any faults.



The multifunction lever of the comfort cab is used to control the direction of travel and speed, and also the cutter bar and reel.

table.

Ergonomic operation

The controls are clearly arranged on the right hand instrument panel within easy reach of the driver. The deluxe cab is equipped with the "CommanderStick". With this feature the driver has the all-important functions of the machine, such as the direction of travel, reel (position and speed), cutter bar, oscillation compensation and tank discharge pipe, under fingertip control. A total of six working headlights illuminate the cutter bar and its surroundings so that night work is also safe. The driver can recall the main functions and speeds with the optionally available LH-Agro control monitor. The control monitor is mounted at eye-level on the A-strut of the cab. A cutter bar quick-action stop feature, which can be actuated by foot, protects the knife and connected equipment from damage.



LH-Agro control monitors (Basis, Medium, Maximum) are available for all four models.

Advantages

- ▶ **Comfortable and spacious cabs with high operating and driving comfort and convenience**
- ▶ **Two cab versions, both with air conditioning and heating as a standard feature**
- ▶ **Generously glazed with panorama windscreens, (tinted on "deluxe" cab) excellent view of the cutter bar with easy monitoring of crop intake**
- ▶ **Fully equipped co-driver seat as a standard feature**
- ▶ **Operation of all main header and driving functions with one central operating element, the "CommanderStick", in the deluxe cab**
- ▶ **Control monitors, to check operation of all important functions, available as an accessory**
- ▶ **Emergency stop function on the cutter bar as standard**



With the "CommanderStick" the driver has all functions at his fingertips.



The "comfort" cab is generously glazed and is easily accessed.



Economical and power



▲ Powerful and economical engines ensure a constant harvesting performance, even with long straw and under difficult conditions.

▼ A self-cleaning rotating sieve filters the cooling air, ensuring a clean engine compartment and prolonging the air filter service life.

▼ All-wheel drive: an important additional feature for difficult terrain.



erful engines.

The reliable, liquid-cooled 4 and 6 cylinder turbodiesel engines with power output from 115 to 175 h.p. (85 to 129 kW) ensure powerful and economical operation; fitted with electronic engine control they meet the latest emission requirements. The engine is located in an easily accessible position behind the grain tank. The cooling system and fuel tank, the latter with a capacity of up to 350 litres, are easily and safely accessible via the rear ladder.

Large maintenance flaps permit unrestricted access to the coolers. In addition to a self-cleaning rotating sieve for the engine radiator, all engines feature an automatic dust discharge unit with ejector. This not only enhances the engine's service life, but also reduces maintenance costs.

Robust drive

All four models of the new 54 series feature a three-stage, hydrostatic drive that is easily operated with its ergonomic lever. Infinitely variable acceleration in each driving stage is possible with the multifunction lever. The direction of travel is changed without actuating the clutch.

All-wheel drive is also available upon request; this gives around 20 % higher traction in hilly areas and on difficult terrain. In addition the combine harvesters can be equipped with an electro-hydraulic differential lock if required.

Advantages

- ▶ **Reliable, economical and electronically controlled 4 and 6 cylinder turbodiesel engines**
- ▶ **Low specific fuel consumption**
- ▶ **Self-cleaning rotating sieve for clean cooling and combustion air**
- ▶ **Automatic dust discharge with ejector as standard feature**
- ▶ **Simple access to engine and cooling system**
- ▶ **Fuel capacity of up to 350 litres for productive harvesting days without irritating refuelling stops**
- ▶ **Maintenance-free, hydrostatic drive with three stages: Dependable 100 % power transmission in all harvesting situations**
- ▶ **All-wheel drive and differential lock upon request**

Access to the engine air filter, for cleaning or replacement, is simple thanks to the large servicing platform area



Fast and simple main



tenance.

During the harvesting season every minute counts. For this reason DEUTZ-FAHR has reduced daily maintenance requirements to a minimum. Both large maintenance flaps are opened in a flash. All drive elements and service points are open and easily accessible. The simple and logical drive design facilitates routine checks. This really shows how easy and convenient daily maintenance can be.

Long maintenance intervals ensure high daily harvesting capacities, and reduce the required working time and therefore service costs to a gratifyingly low level. Engine maintenance can be easily performed from the large platform on the straw hood.

The engine and oil coolers are easily accessible and easy to clean. The walkers can be easily pulled out towards the rear for cleaning through a maintenance flap in the straw hood. The individual elements of the preparation floor and the grain tank filling and discharge augers can also be easily and quickly pulled out for cleaning. Typically DEUTZ-FAHR.

Value stability for many years.

DEUTZ-FAHR combine harvesters have sophisticated, very reliable high quality components. The constructional quality speaks for itself – all individual parts are protected against mechanical damage. Multiple coating of corrosion inhibitors and first-class lacquer ensures value stability and reliability – year after year.



The electrical fuses are in the cab and are easily accessible without physical contortion.



The grain tank discharge augers are pulled out to the side for servicing.



The cab air filter, a standard-feature, can be conveniently cleaned or replaced without tools.

Advantages

- ▶ *“Designed-in” easy-maintenance with few lubricating and maintenance points*
- ▶ *Large maintenance flaps ensure free access to all major assemblies and fast daily maintenance*
- ▶ *Stone trap opened centrally*
- ▶ *Easily accessible engine*
- ▶ *Long maintenance intervals*
- ▶ *The battery is also easily accessible without tools*
- ▶ *The rotating air intake screen prevents clogging of the cooler and keeps the engine compartment clean*
- ▶ *The individual segments of the preparation floor are easily pulled out towards the rear, the auger flaps can be easily opened for cleaning*
- ▶ *The walker floors can be pulled out towards the rear through a large maintenance flap*
- ▶ *Grain tank filling and discharge augers are simply pulled out to the side*



Sure and safe with original DEUTZ-FAHR.



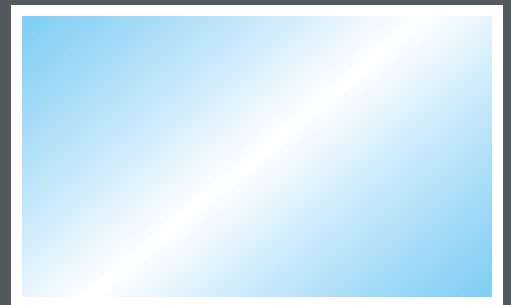
Original service is wise.

Many can repair much! But, without doubt, only your DEUTZ-FAHR specialist dealer knows your combine harvester inside and out. Only your dealer has regularly trained mechanics and experts on call. Only dealers have the special tools and diagnostic equipment required for competent diagnosis and inspection ... Truly without doubt.

Original service parts make good sense.

As you placed your trust in the original combine harvester, it makes equally good sense to only use original service parts when required. Only these comply with the high quality and safety standards of DEUTZ-FAHR and ensure correct function, trouble-free operation and value stability of your combine harvester – guaranteed.

Your DEUTZ-FAHR dealer will be pleased to answer your questions:



This printed material is designed for international use. The illustrations it contains show both special equipment and incomplete standard equipment. The availability of some illustrated models, standard and special equipment can vary from country to country. Only the dealer's price list stipulates whether such illustrated equipment is included as a standard feature or whether it is a special accessory. In addition the illustrated mounted implements and special accessories may not always comply with the respective statutory regulations. It is the responsibility of the customer – after consultation with the dealer – to verify this, taking the operating instructions into account. All information and illustrations in this brochure are subject to correction; errors excepted. Furthermore all information contained in this brochure is not binding and is subject to modifications of a technical and commercial nature or those resulting from statutory regulations. No claims whatsoever can be derived from these. SAME DEUTZ-FAHR DEUTSCHLAND GmbH reserves the right to make any changes to the design and technical construction and also the scope of standard equipment at any time and without prior notice.

order no. 809-10-01

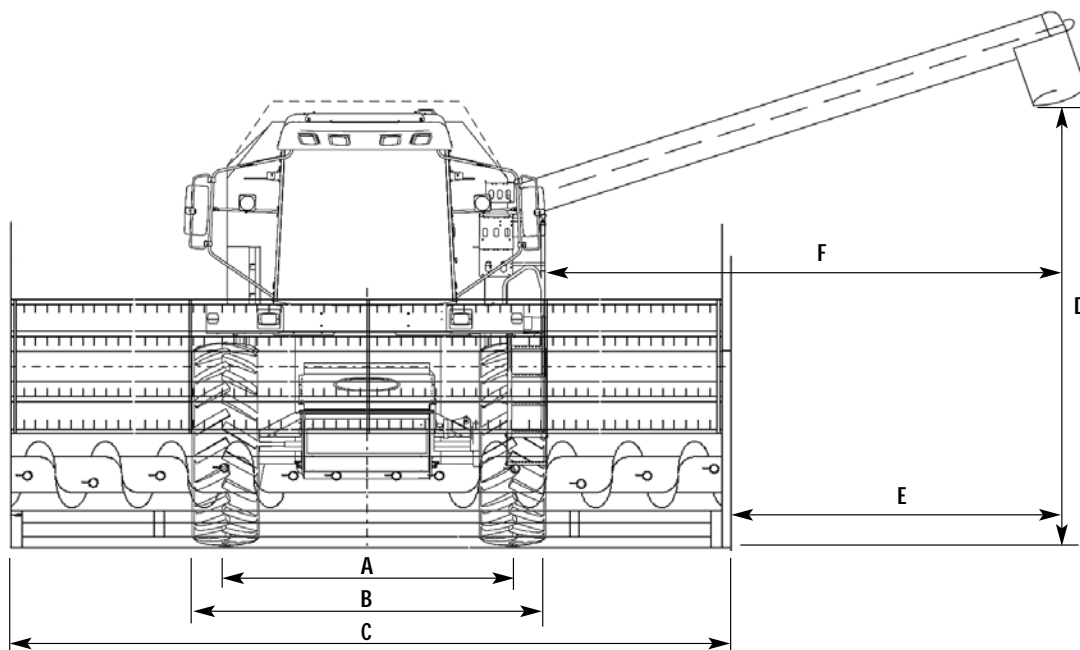
SAME DEUTZ-FAHR DEUTSCHLAND GmbH, D-89415 Lauingen, www.deutz-fahr.de



DRIVEN BY INTELLIGENCE.

DEUTZ-FAHR 5435/5445/5465/5485

TECHNICAL DATA



Dimensions in mm		5435 H	5445 H	5465 H	5485 HT
A Track width ⁽¹⁾	front		2.518		
	rear		2.206		
B Width ⁽¹⁾ without header			2.920		2.980
C Width with header	3,10 m	3.490			
	3,45 m		3.740		
	3,90 m			4.255	
	4,20 m			4.560	
	4,50 m				4.865
	4,80 m				5.170
D Height up to lower edge of grain tank pipe ⁽¹⁾		3.300		3.400	
E Distance cutter bar side wall - grain tank pipe	With cutter bar 3,10 m				
	With cutter bar 3,45 m				
	With cutter bar 3,90 m				
	With cutter bar 4,20 m				
	With cutter bar 4,50 m				
	With cutter bar 4,80 m				
F Distance discharge pipe up to tyres, left-hand side ⁽¹⁾		2.370		2.800	

⁽¹⁾ with standard tyres

This printed material is designed for international use. The illustrations it contains show both special equipment and incomplete standard equipment. The availability of some illustrated models, standard and special equipment can vary from country to country. Only the dealer's price list stipulates whether such illustrated equipment is included as a standard feature or whether it is a special accessory. In addition the illustrated mounted implements and special accessories may not always comply with the respective statutory regulations. It is the responsibility of the customer – after consultation with the dealer – to verify this, taking the operating instructions into account. All information and illustrations in this brochure are subject to correction; errors excepted. Furthermore all information contained in this brochure is not binding and is subject to modifications of a technical and commercial nature or those resulting from statutory regulations. No claims whatsoever can be derived from these. SAME DEUTZ-FAHR DEUTSCHLAND GmbH reserves the right to make any changes to the design and technical construction and also the scope of standard equipment at any time and without prior notice. order no. 809-10-01

Printed in Germany

SAME DEUTZ-FAHR DEUTSCHLAND GmbH, D-89415 Lauingen, www.deutz-fahr.de
SAME DEUTZ-FAHR SCHWEIZ AG, CH-9536 Schwarzenbach, www.samedeutz-fahr.ch
DEUTZ-FAHR AUSTRIA Gesellschaft m.b.H., A-2320 Schwechat, www.deutz-fahr.at

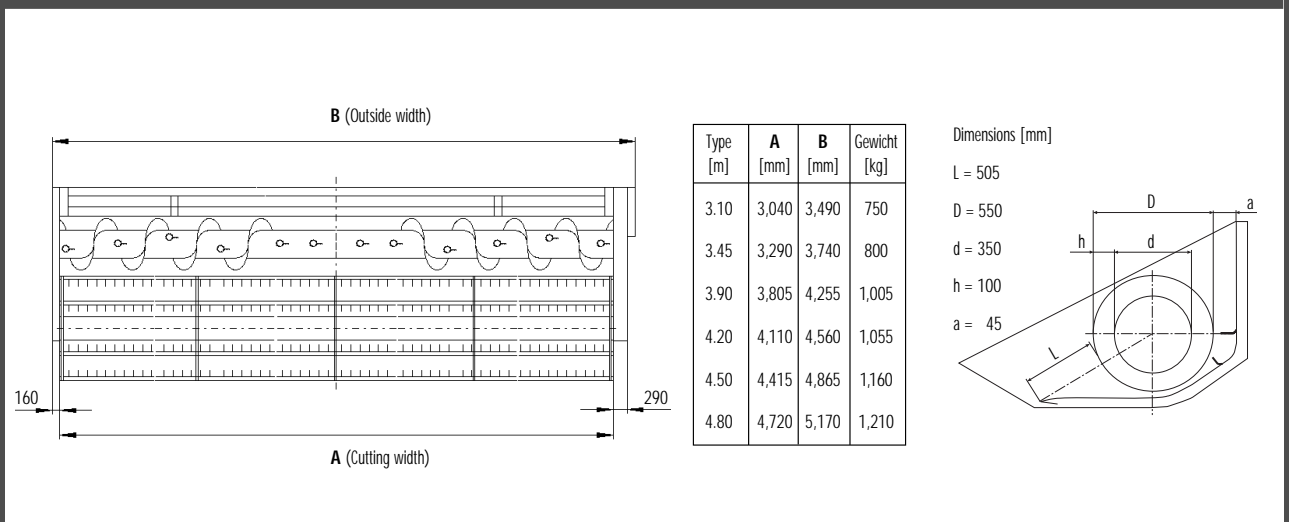
**DEUTZ
FAHR**

DRIVEN BY INTELLIGENCE.

DEUTZ-FAHR 5435/5445/5465/5485

TECHNICAL DATA

Cutter bar		5435 H	5445 H	5465 H	5485 HT
Cutting width	m	3.10/3.45	3.10 - 4.20	3.45 - 4.50	3.90 - 4.80
Hydraulic cutting height adjustment	mm	-200 bis +1,250			
Cutting height display		standard			
Blade drive/blade stroke	Cuts per min/mm	1,020/84			
Stalk divider right and left long		standard			
Ear lifters (9/11/12/13/14/15 lifters)		standard			
Pressure relief	reservoir	standard			
Automatic cutting height programming (DHC)		upon request			
Electrical reversing feature for feed auger and feeder elevator		standard			
Tow hitch for header transporter		standard			
Header transporter		upon request			
Maize header, 4 rows, with or without integrated chopper		upon request			
Electrical vertical blade on right, or right and left, incl. 95A Generator					
Rapeseed cutter with tube extension and vertical cutter on right, or right and left		upon request			
Sunflower attachment for cutter bar		upon request			



Reel		5435 H	5445 H	5465 H	5485 HT
6-bar pickup reel with hydraulic height adjustment		standard			
Horizontal adjustment, electrical		standard			
Speed adjustment, electrical	rpm	15 - 49			
Autom. reel speed adjustment to travelling speed		upon request			
Tandem thresher		5435 H	5445 H	5465 H	5485 HT
Diameter	mm	-	-	-	400
Width	mm	-	-	-	1,110
Speed	1/min	-	-	-	600-1,300
Concave bars		-	-	-	7
Mechanical concave adjustment		-	-	-	standard
Separating area	m ²	-	-	-	0.34
Threshing drum		5435 H	5445 H	5465 H	5485 HT
Diameter	mm	500			
Width	mm	1,110			
Beater bars	Quantity	8			
Electrically adjustable variator	rpm	600 - 1,300			
- with maize equipment	1/min	400 - 1,150			

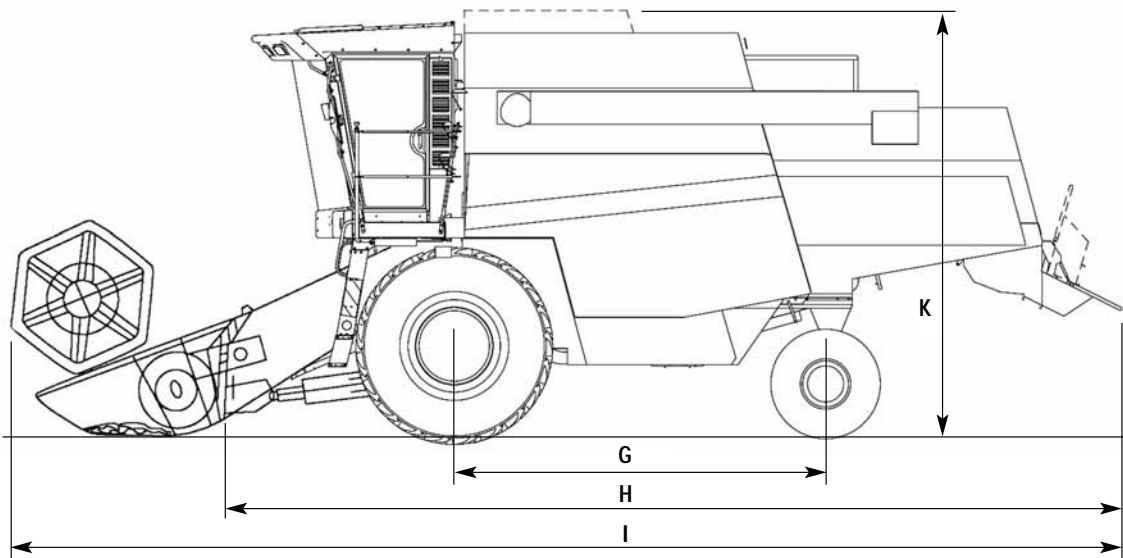
DEUTZ-FAHR 5435/5445/5465/5485

TECHNICAL DATA

Concave		5435 H	5445 H	5465 H	5485 HT
Concave bars	Quantity			12	
Angle of wrap	Degrees			105	
Separating area	m ²			0.51	
Stone trap, folds at side				standard	
3 de-awner bars				standard	
Concave adjustment with indication in cab	mm			6-42	
Maize threshing unit				upon request	
Walkers		5435 H	5445 H	5465 H	5485 HT
Straw walkers	Quantity		4		5
Steps	Quantity	2		4	
Walker area	m ²	3.86		4.20	
Total separating area	m ²	4.42		4.76	5.28
Easily removed walker floors				standard	
Cleaning		5435 H	5445 H	5465 H	5485 HT
High-performance radial blower				standard	
Top sieve: Lamella sieve with swivel lamella sieve extension				standard	
Sieve box illumination				standard	
Lower sieve		Round hole		Lamella	
Top sieve area	m ²	1.54		1.74	
Top sieve shoe	m ²	0.33		0.33	
Lower sieve area	m ²	1.13		1.33	
Total sieve area	m ²	3.00		3.40	
Returns		5435 H	5445 H	5465 H	5485 HT
Auger with after-threshing unit				standard	
Return to preparation floor/top sieve				standard	
Grain tank		5435 H	5445 H	5465 H	5485 HT
Contents	l	3,300	3,700	4,200	5,200
Grain tank filling level indication, visual				standard	
Internal illumination				standard	
Grain sampling from the driver's cab				standard	
Grain tank cover				standard	
Discharge height	m	3.30		3.40	
Chopper		5435 H	5445 H	5465 H	5485 HT
Standard straw chopper			upon request		–
Standard straw chopper with central spreading width adjustment			upon request		–
High-performance straw chopper with central spreading width adjustment			–		upon request
High-performance straw chopper with electrical spreading width adjustment			–		upon request
Engine		5435 H	5445 H	5465 H	5485 HT
4 cyl., 4.4 l, 85 kW (115 h.p.), liquid-cooled, COM II		•	•		
4 cyl., 4.4 l, 96 kW (130 h.p.), liquid-cooled, COM II			upon request		
6 cyl., 6.6 l, 96 kW (130 h.p.), liquid-cooled, COM II			upon request		
6 cyl., 6.6 l, 110 kW (150 h.p.), liquid-cooled, COM II				•	
6 cyl., 6.6 l, 129 kW (175 h.p.), liquid-cooled, COM II					•
Fuel tank	l		200		350
Drives/Brakes/Steering		5435 H	5445 H	5465 H	5485 HT
Hydrostatic drive with pre-selection range for infinitely variable speed control with 3-speed shifting transmission from 0 to 20 km/h (national), from 0 to 30 km/h (international)				standard	
Mechanical drive		–	upon request	–	–
Hydr. foot brakes can be used as individual, independent brakes, mechanical Parking brake				standard	
Hydrostatic steering				standard	
Driven steering axle (all-wheel drive)				upon request	
Electrically actuated differential lock				upon request	



Tyres	5435 H	5445 H	5465 H	5485 HT
front, standard	18,4/80 R34		520/70 R34	600/65 R34
rear, standard	360/70 R20			420/65 R20
front, upon request	520/70 R34		-	
front, upon request	600/65 R34			-
front, upon request	-			750/65 R26
rear, upon request	420/65 R20			-
Cab	5435 H	5445 H	5465 H	5485 HT
"Comfort" cab with standard seat, co-driver seat and multifunction lever for operating several functions	standard		-	
"Deluxe" cab with tinted, laminated panorama windscreen, with DeLuxe Pro seat and CommanderStick for the actuation of several functions	-	upon request	serienmäßig	
Control monitor LH-Agro 500 / 500 medium / 500 maximum	upon request			
6 working headlights on the cab, 1 working headlight on grain tank pipe	standard			
1 rear working headlight	standard			
Air conditioning and heating	standard			
Weights in kg	5435 H	5445 H	5465 H	5485 HT
Without header	5,800	6,300	6,700	7,600
with 3.10 m header	6,550	7,050	-	-
with 4.20 m header	-	-	7,750	8,650



Dimensions in mm	5435 H	5445 H	5465 H	5485 HT
G Wheel base	3,260		3,680	
H Length without header	6,850	7,660		8,080
I Length with header (without stalk divider)	8,400	8,680		9,100
K Height of cab / grain tank ⁽¹⁾	3,580		3,680	3,700

⁽¹⁾ with standard tyres

